

# HEMCO INDUSTRIES PTY LTD

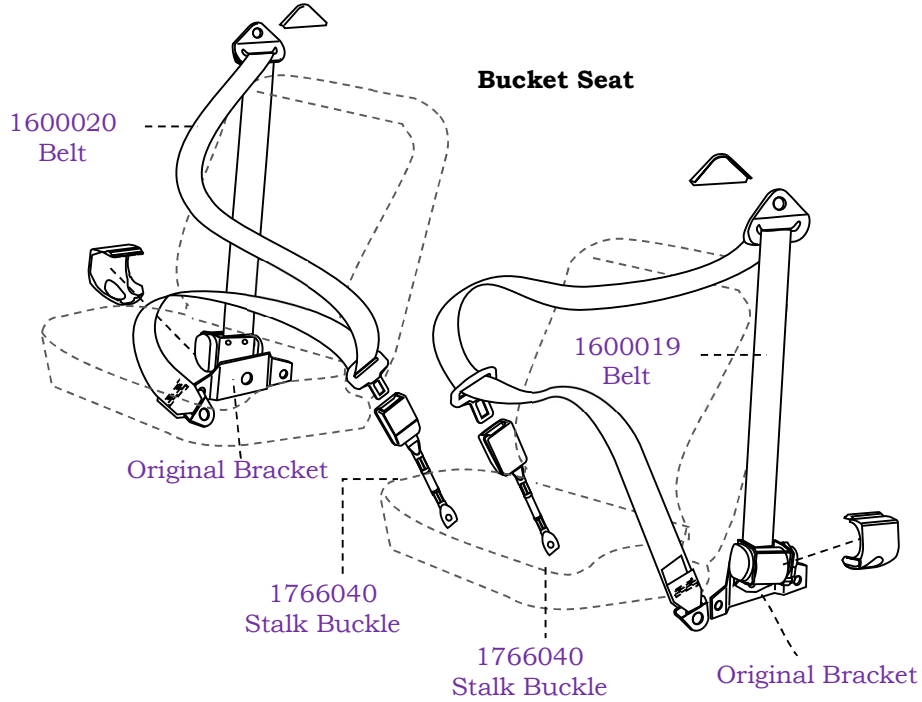
## OCCUPANT RESTRAINTS

ABN 12 004 746 856

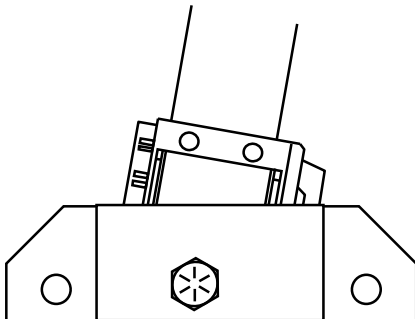


Australian Standard  
 AS/NZS2596 Lic 895  
 SAI Global

### ZH FAIRLANE FRONT BELTS



Belt Part Number	Belt Type	Seat Type	Seat Position	Buckle Part Number	Buckle Length
1600020	Inertia Lap Sash	Bucket	Drivers	1766040	Stalk 450mm
1600019	Inertia Lap Sash	Bucket	Passengers	1766040	Stalk 450mm



Using the original bracket, bolt the replacement belt on to ensure installation is achieved.

Right hand shown, with Left hand symmetrically opposite.