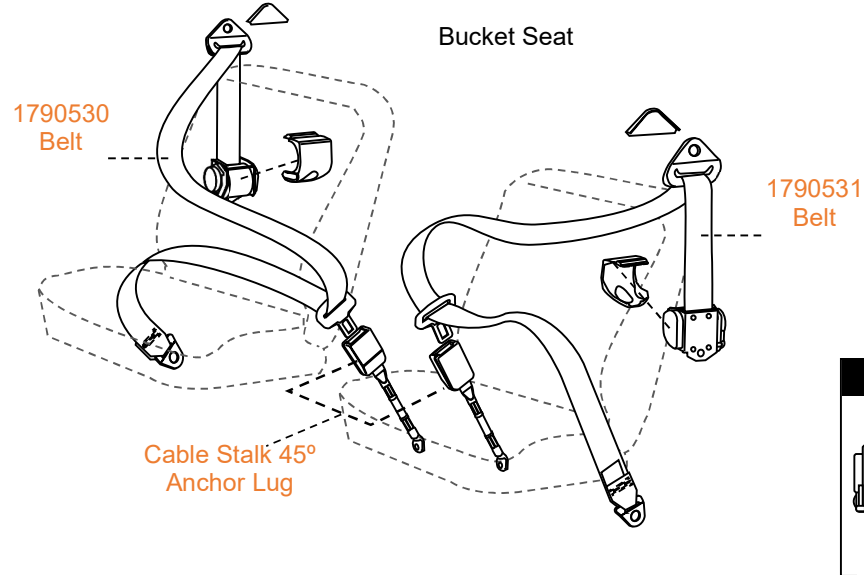


WB HOLDEN UTE - FRONT SEAT BELTS



Seat Belt Assembly Part Numbers

Belt Part Number	Belt Type	Seating	Position	Buckle Type	Buckle Part Number
1790530	Inertia Lap Sash	Bucket	Driver	Stalk	1766278 (430mm)
1790531			Passenger		1766278 (430mm)

Note: These recommendations are based on applications that use ½ Inch unc threaded bolts.