

# HEMCO INDUSTRIES PTY LTD

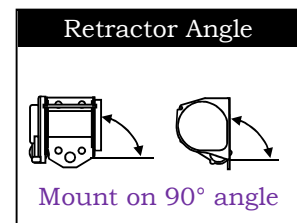
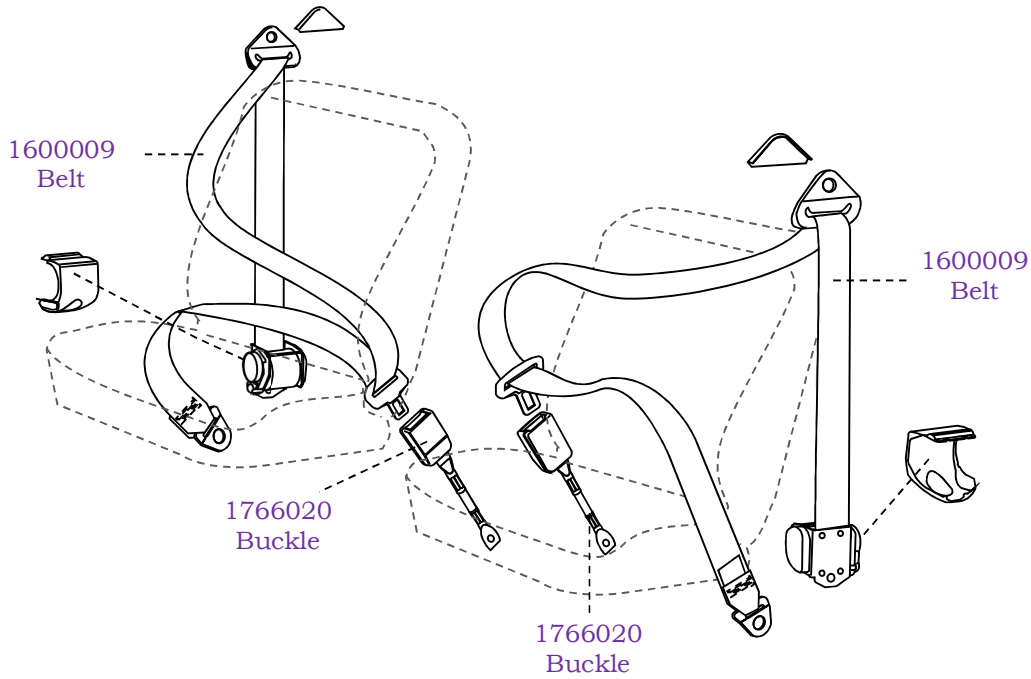
## OCCUPANT RESTRAINTS

ABN 12 004 746 856



Australian Standard  
 AS/NZS2596 Lic 895  
 SAI Global

### LN65 HILUX FRONT BELTS



Belt Part Number	Belt Type	Seat Position	Buckle Part Number	Buckle Length
160009	Inertia Lap Sash	Right or Left Front	1766020	300mm