

HEMCO INDUSTRIES PTY LTD

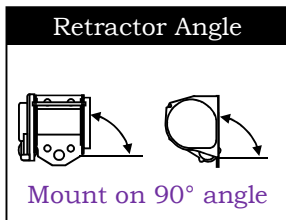
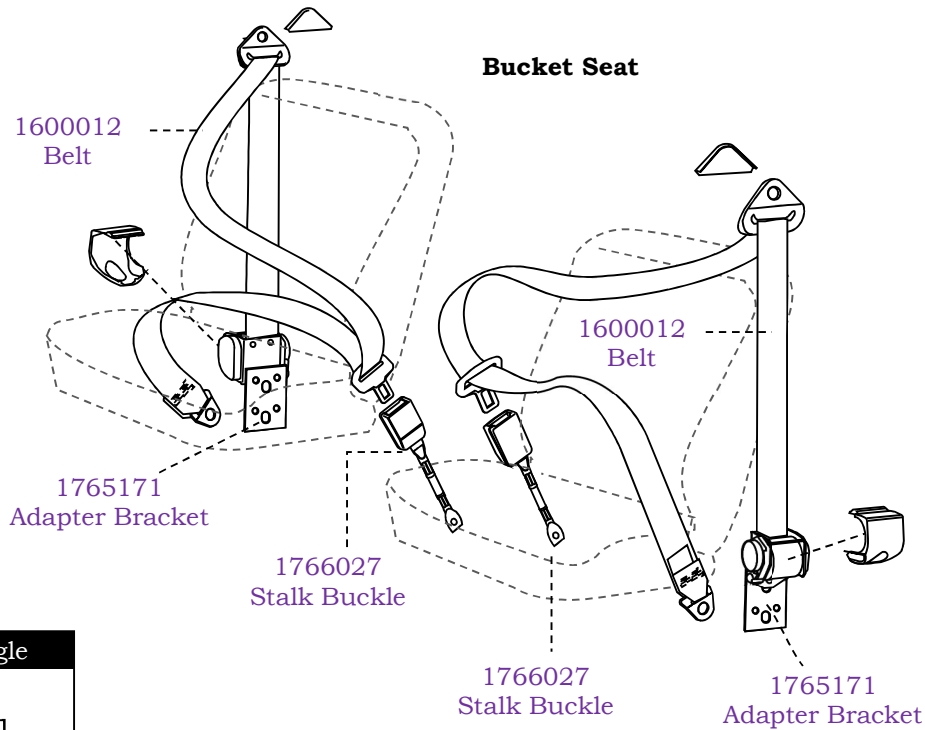
OCCUPANT RESTRAINTS

ABN 12 004 746 856



Australian Standard
 AS/NZS2596 Lic 895
 SAI Global

LN, RN & VZN130 SURF / 4RUNNER 4 DOOR WAGON FRONT BELTS



Belt Part Number	Belt Type	Seat Type	Seat Position	Buckle Part Number	Buckle Length
1600012	Inertia Lap Sash	Bucket	Drivers / Passengers	1766027	Stalk 350mm