

HEMCO INDUSTRIES PTY LTD

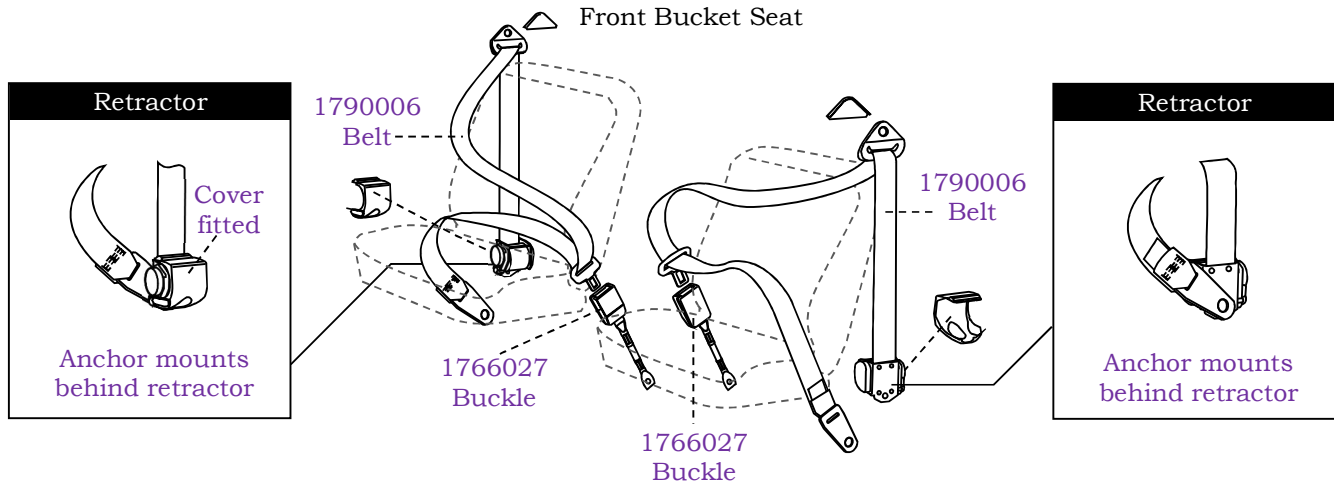
OCCUPANT RESTRAINTS

ABN 12 004 746 856



Australian Standard
 AS/NZS2596 Lic 895
 SAI Global

1790006 Belt & 1766027 Buckle



Seat Belt Assembly Part Numbers

Belt Part Number	Belt Type	Seating	Position	Bolt Thread	Buckle Type	Buckle Part Number	Buckle Length
1790006	Inertia Lap Sash	Bucket Seat	Driver or Passenger	7/16 Unf	Stalk	1766027	350mm
1600091	Inertia Lap Sash	Bucket Seat	Driver or Passenger	½ Inch	Stalk	1766026	330mm

Note:

Ensure the **correct bolt thread** is identified or known when selecting seat belts.