

HEMCO INDUSTRIES PTY LTD

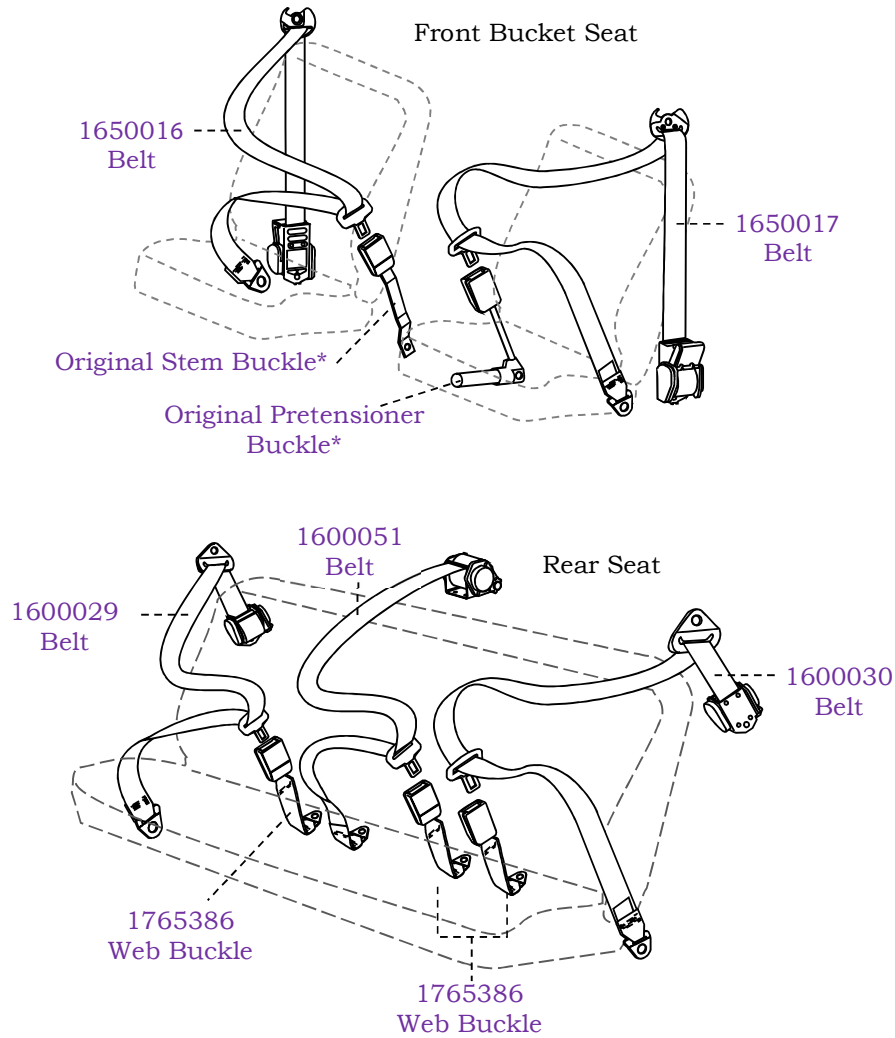
OCCUPANT RESTRAINTS

ABN 12 004 746 856



Australian Standard
 AS/NZS2596 Lic 895
 SAI Global

AU SEDAN SEAT BELTS



Belt Part Number	Belt Type	Seating	Position	Buckle Type	Buckle Part Number	Buckle Length
1650010	Inertia Lap Sash	Bucket Seat	Driver	O/E*	Use Original Equipment buckles	
1650011	Inertia Lap Sash	Bucket Seat	Passenger	O/E*		
1600029	Inertia Lap Sash	Bench Seat	Rear RH Passenger	Webbing	1765386	275mm
1600030	Inertia Lap Sash	Bench Seat	Rear LH Passenger	Webbing	1765386	275mm
1600051	Inertia Lap Sash	Bench Seat	Centre	Webbing	1765386	275mm