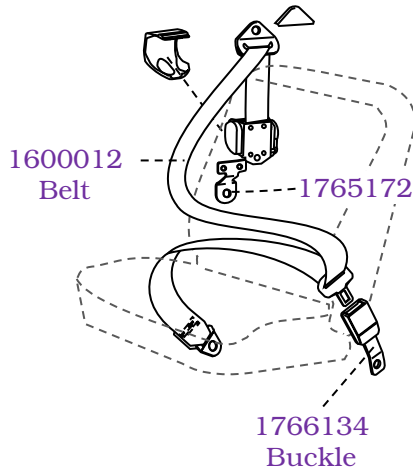
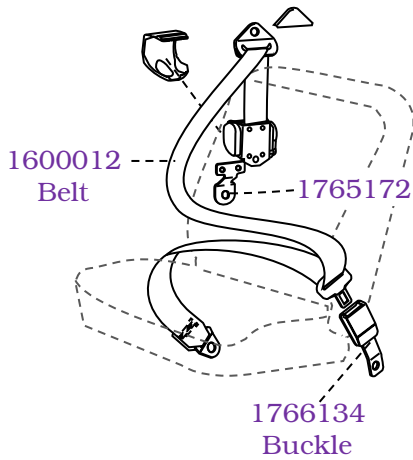
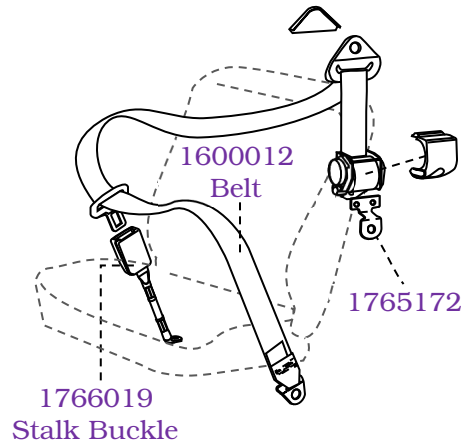


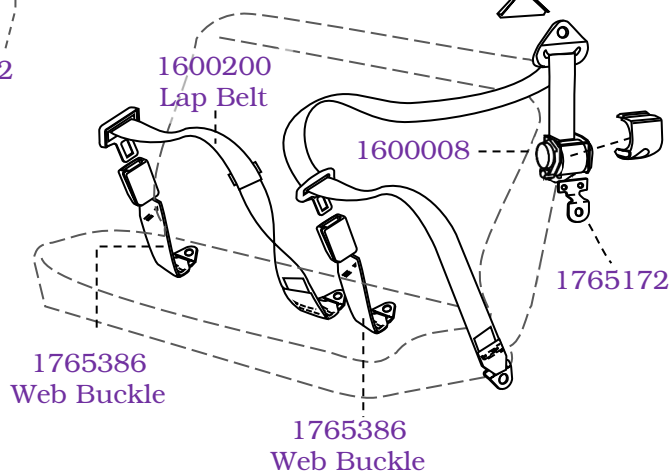
100 SERIES HI-ACE FRONT SEAT BELTS



Bucket Seat



60/40 Bench Seat



Belt Part Number	Belt Type	Seat Type	Seat Position	Buckle Part Number	Buckle Length
1600012	Inertia Lap Sash	Bucket	Right Front	1766134	120mm
1600012	Inertia Lap Sash	Bucket	Left Front	1766019	LH Stalk 250mm
1600008	Inertia Lap Sash	60/40 Split Bench	Left Front	1765386	275mm
1600200	Static Lap	60/40 Split Bench	Centre Front	1765386	275mm